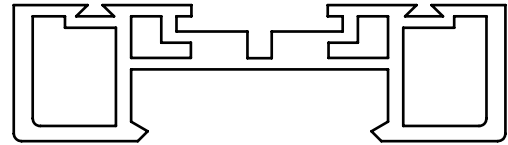
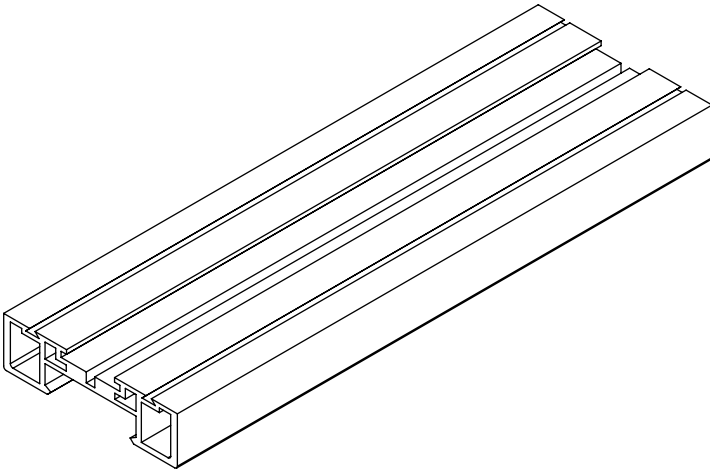


BUZON® U-BRS

TECHNICAL DATA SHEETS U-BRS

U-BRS-18MM

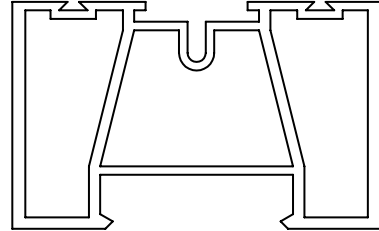
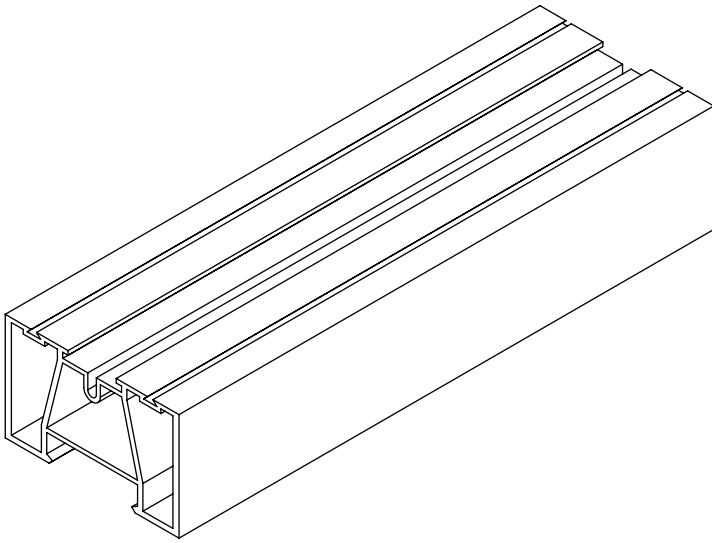


Characteristics

Material following EN573-3	AL6060 T6
Dimensions L*I*h	2400 x 65 x 18 mm Other lengths on request (mimimum 1000kg)
Color	Powder coated RaI9005 black
Weight	1,09 kg/m - 2700kg/m ³
E-modul	ca. 70.000 N/mm ²
Expansion coefficient	23·10 ⁻⁶ 1/K



U-BRS-40MM

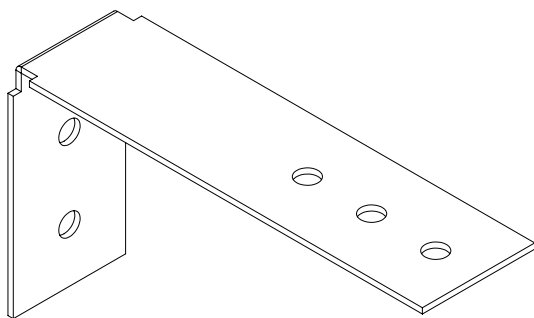


Characteristics

Material following EN573-3	AL6060 T6
Dimensions L*I*h	2400 x 65 x 40 mm Other lengths on request (mimumum 1000kg)
Color	Powder coated RaI9005 Black
Weight	1.54 kg/m - 2700kg/m ³
E-modul	ca. 70.000 N/mm ²
Expansion coefficient	23·10 ⁻⁶ 1/K



U-BRS-CONNECTOR

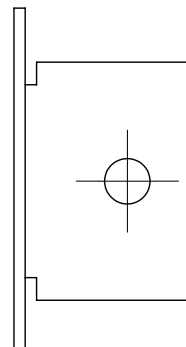
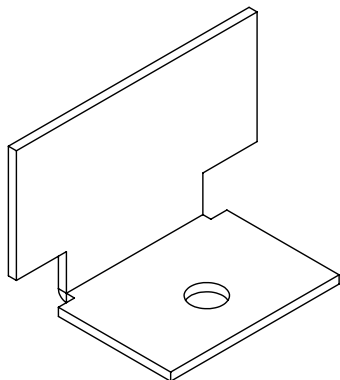


Characteristics

Material	Stainless steel 316 (V4A)
Color	Raw stainless steel
Weight	18,5 gr
E-modul	ca. 180.000 N/mm ²
Expansion coefficient	16·10 ⁻⁶ 1/K



U-BRS-STOP

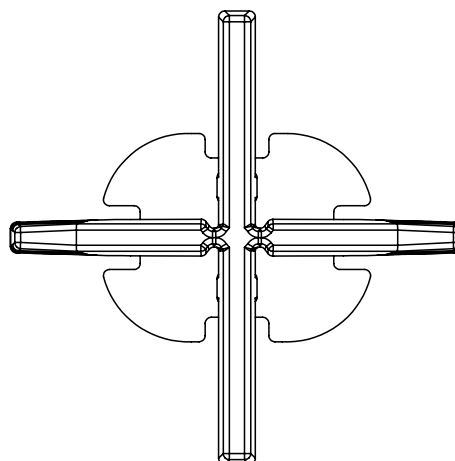
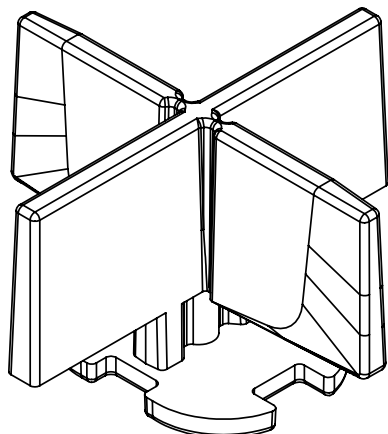


Characteristics

Material	Stainless steel 316 (V4A)
Color	Raw stainless steel
Weight	6,5 gr
E-modul	ca. 180.000 N/mm ²
Expansion coefficient	16·10 ⁻⁶ 1/K



U-BRS-TABS-3MM-H17

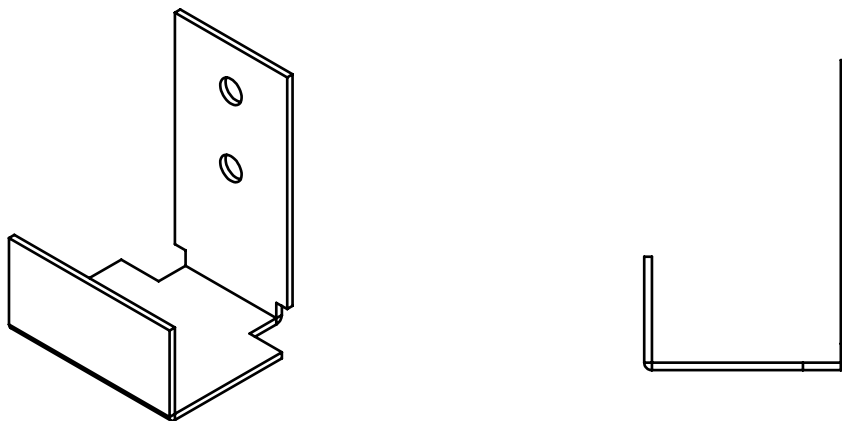


Characteristics

Material	PA66 + GF30
Color	Black
Weight	3 gr



U-BRS-END-B

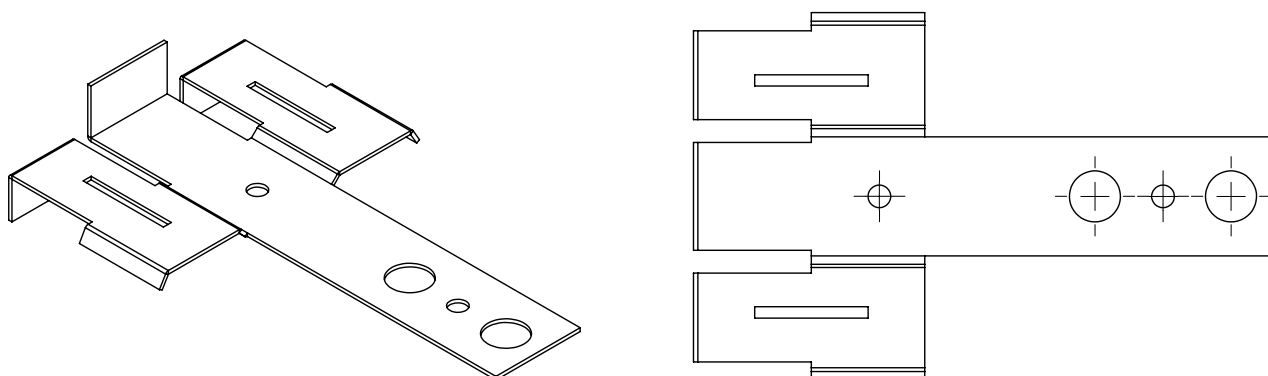


Characteristics

Material	Stainless steel 316 (V4A)
Weight	15,5 gr
Color	Raw stainless steel
Expansion coefficient	$16 \cdot 10^{-6} \text{ 1/K}$
E-modul	ca. 180.000 N/mm ²



U-BRS-END-T

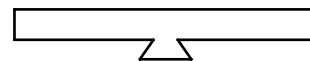
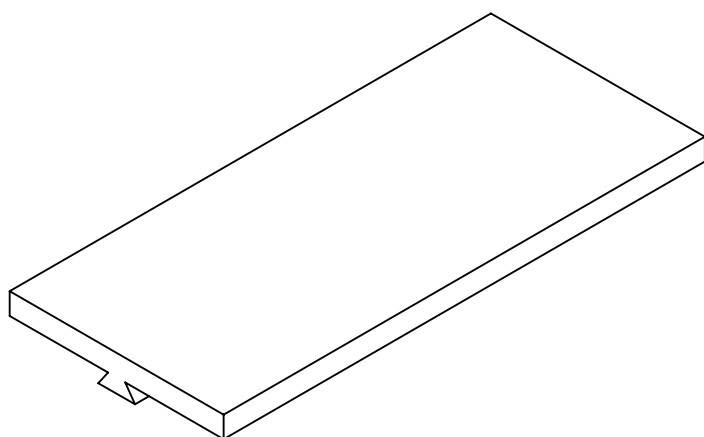


Characteristics

Material	Stainless steel 316 (V4A)
Weight	25,5 gr
Color	Raw stainless steel
Expansion coefficient	$16 \cdot 10^{-6} 1/K$
E-modul	ca. 180.000 N/mm ²



U-BRS-EPDM-2MM

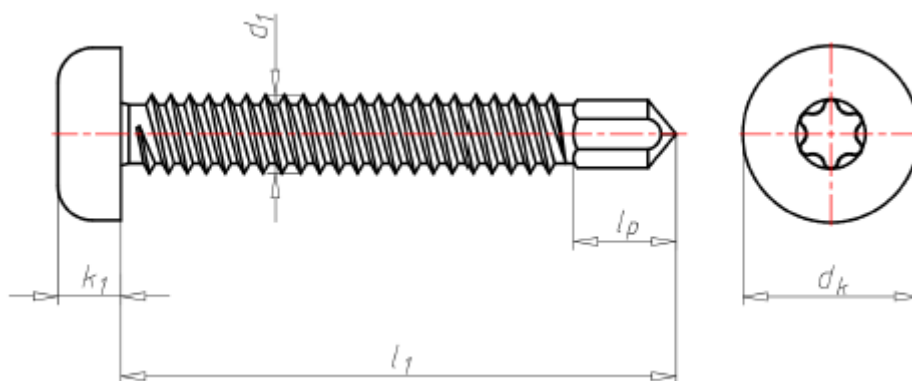


Characteristics

Material	EPDM
Dimensions L*I*h	2400 x 20 x 2 mm
Color	Black
Weight	51 gr/m
Shore	70 Shore A



U-BRS-VIS



Characteristics

Material	A2
D (nominal diameter)	3,9 mm
L (length)	19 mm
DK	7,5 mm
K	3,1 mm
LP	3,1 mm
AW	AW20

This screw is used to fix the various accessories and the aluminum joist.



Buzon UK Ltd

Unit 6, Teddington Business Park
Station Road
Teddington
TW11 9BQ
Tel : +44 20 8614 0874
sales@buzonuk.com - www.buzonuk.com

BUZON® U-Series