



PB-END

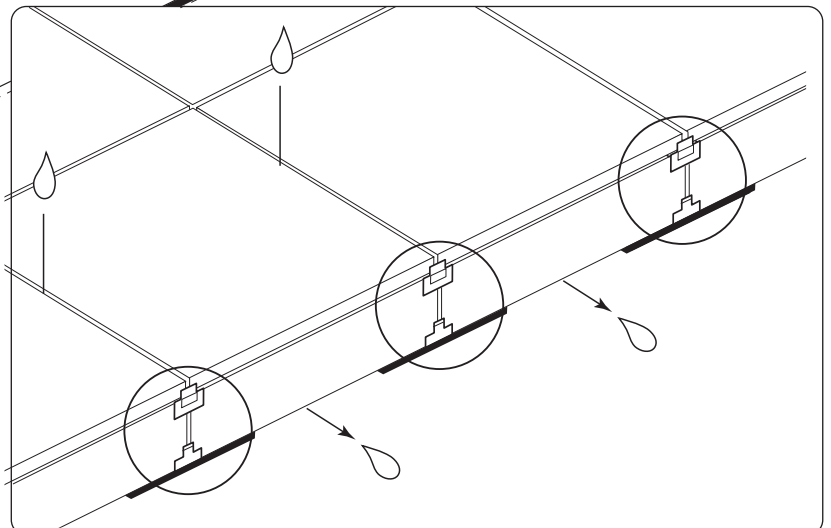
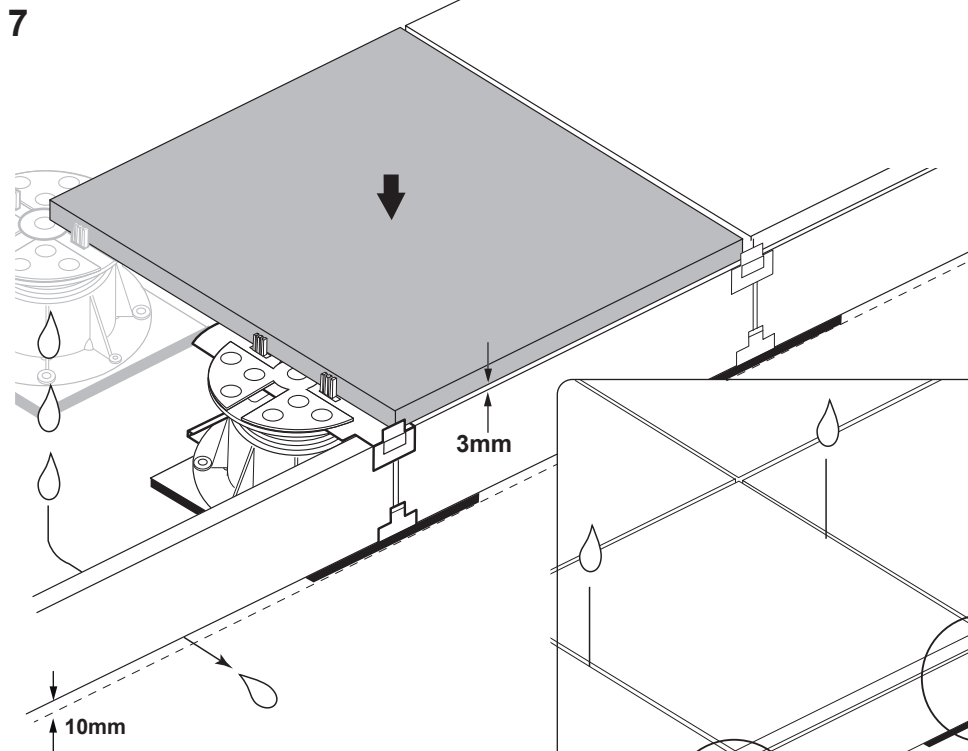
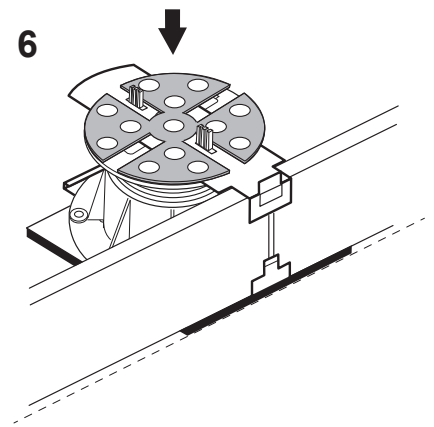
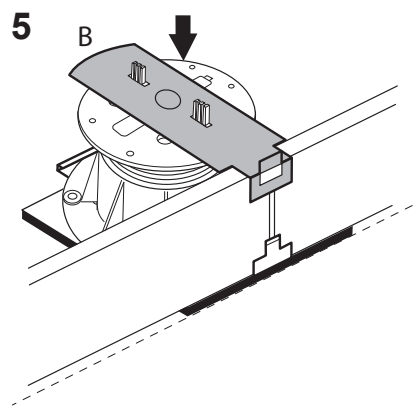
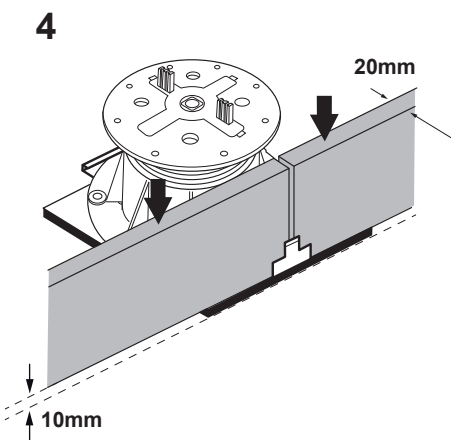
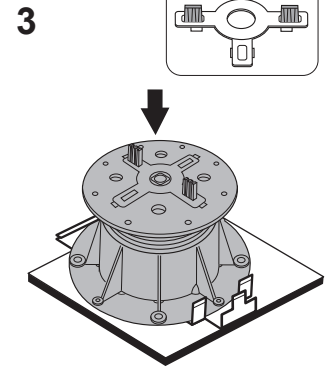
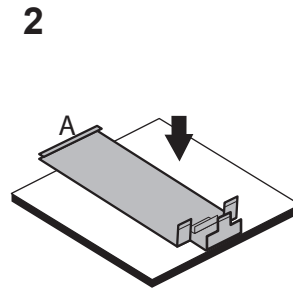
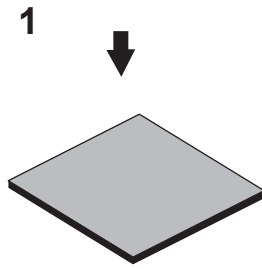
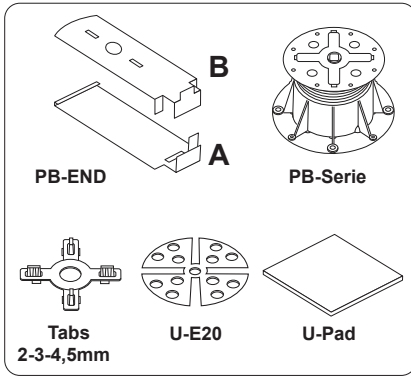
PB-Serie

Ref. GNO 17 Rev.10- AIP-PB-END

p.1/2

11/05/2017

©copyright, 2017, BUZON PEDESTAL INTERNATIONAL





PB-END

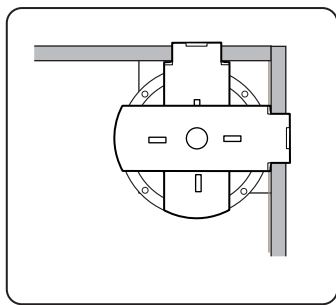
PB-Serie

Ref. GNO 17 Rev.10- AIP-PB-END

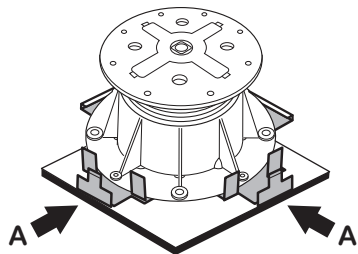
p.2/2

11/05/2017

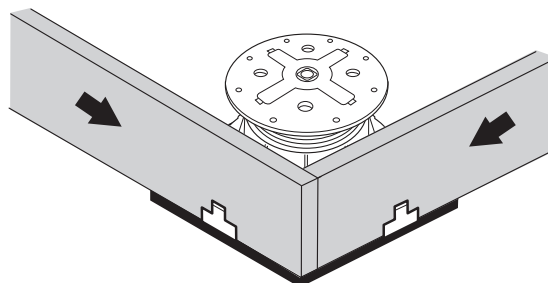
©copyright, 2017, BUZON PEDESTAL INTERNATIONAL



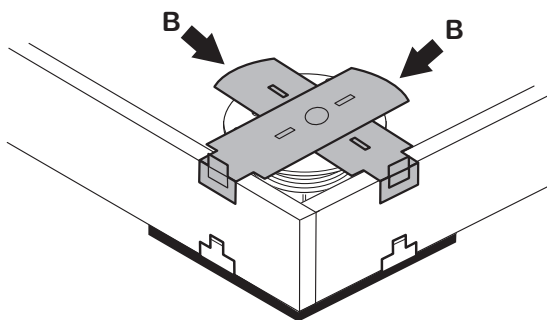
8



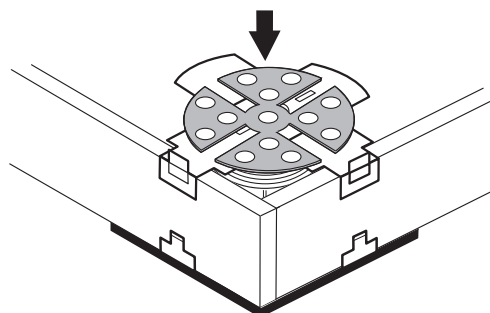
9



10



11



12

